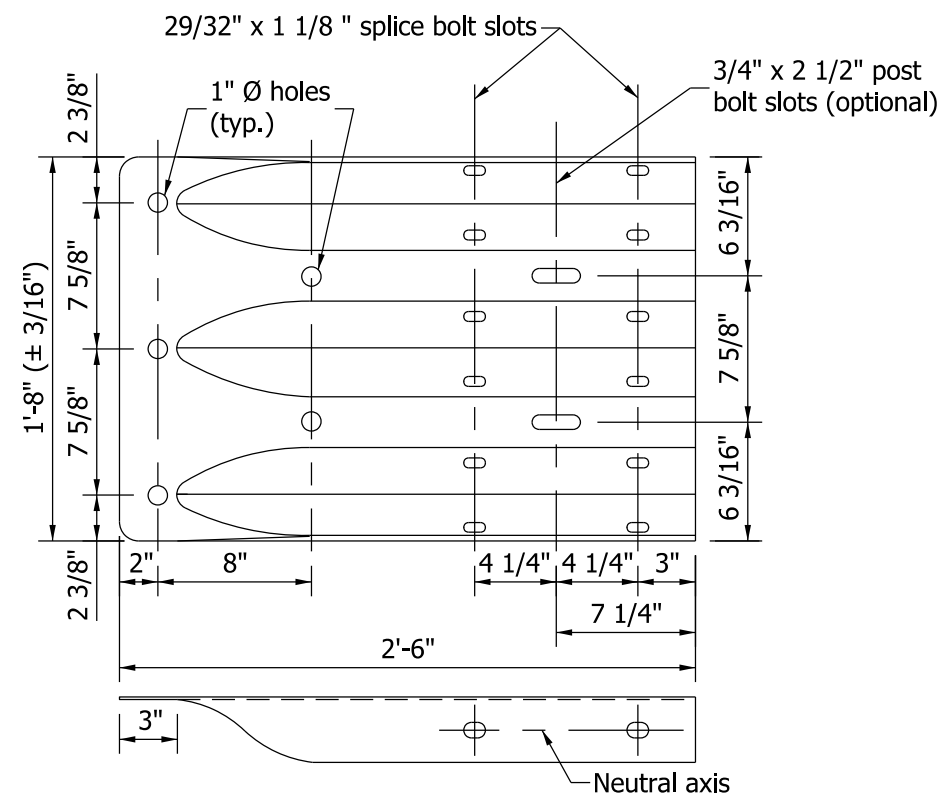
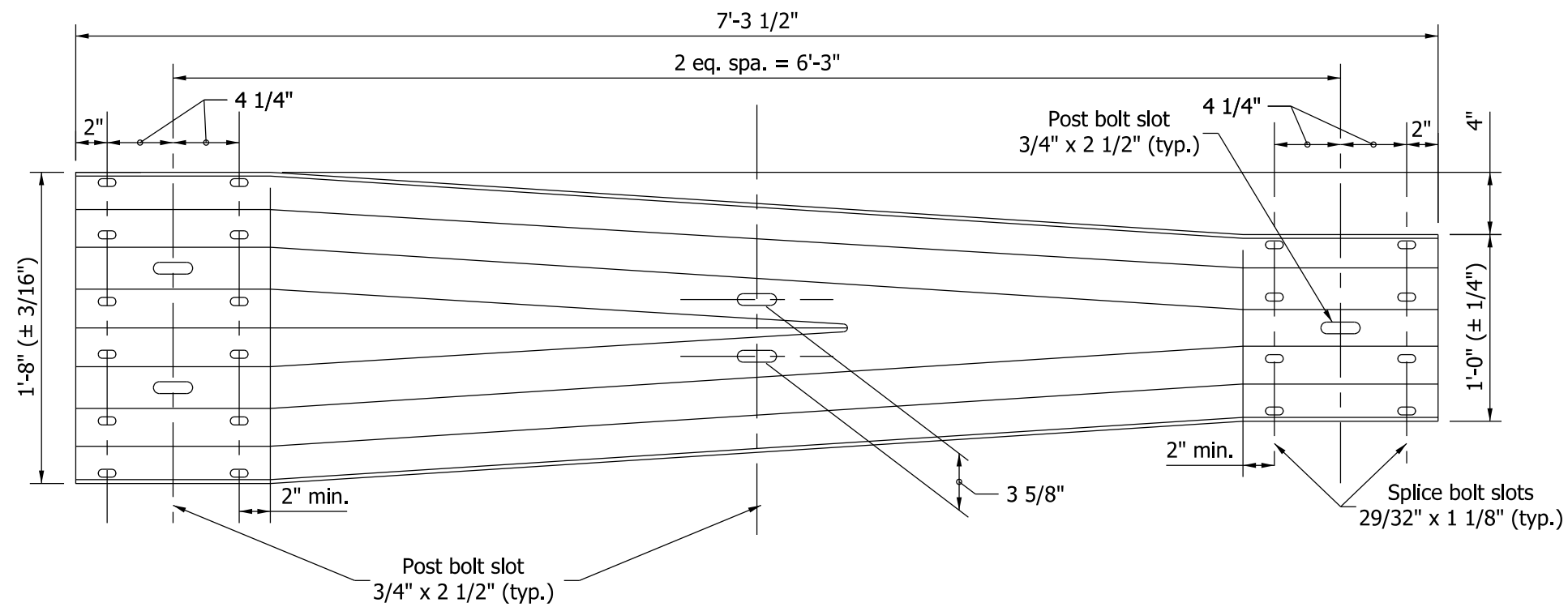


THRIE BEAM RAIL SECTION

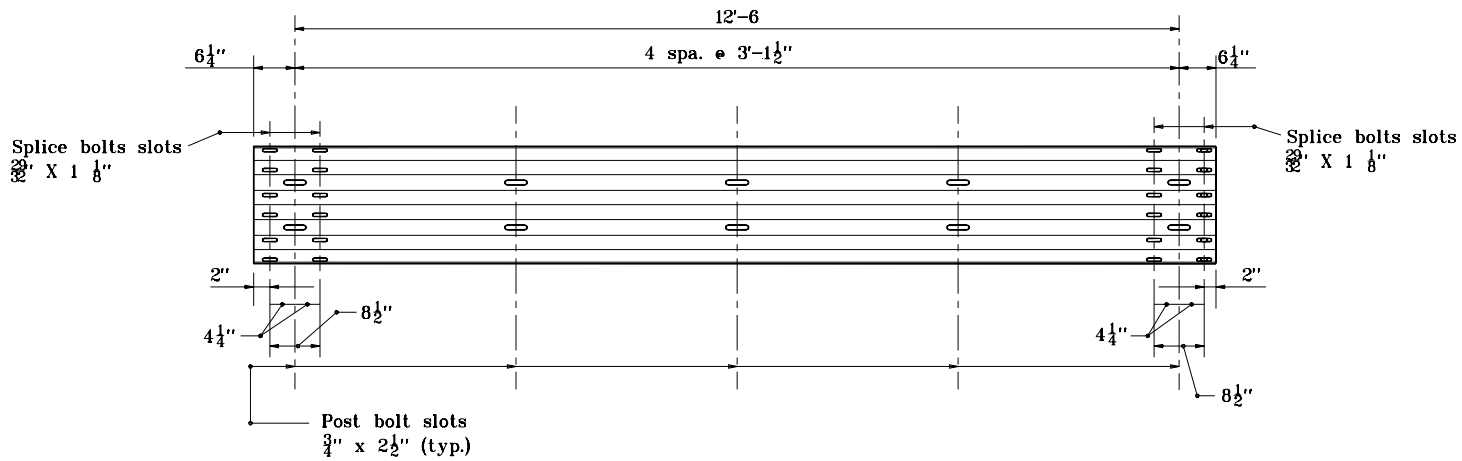


**THRIE BEAM
TERMINAL CONNECTOR**



W-THRIE BEAM TRANSITION SECTION

INDIANA DEPARTMENT OF TRANSPORTATION	
THRIE-BEAM GUARDRAIL COMPONENTS	
SEPTEMBER 2011	
STANDARD DRAWING NO.	E 601-TBGC-01
	/s/ <i>Richard L. VanCleave</i> 09/01/11
	DESIGN STANDARDS ENGINEER DATE
	/s/ <i>Mark A. Miller</i> 09/01/11
DESIGN STANDARDS ENGINEER	CHIEF HIGHWAY ENGINEER DATE



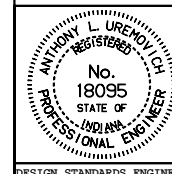
THRIE BEAM RAIL SECTION

INDIANA DEPARTMENT OF TRANSPORTATION

**THRIE-BEAM
GUARDRAIL COMPONENTS**

APRIL 1996

STANDARD DRAWING NO. **E 601-TBGC-02**



DETAILS PLACED IN THIS FORMAT 11-15-99

/s/ Anthony L. Uremovich 11-15-99
DESIGN STANDARDS ENGINEER DATE

/s/ Firooz Zandi 11-15-99
CHIEF HIGHWAY ENGINEER DATE

DESIGN STANDARDS ENGINEER

ORIGINALLY APPROVED 4-01-96